



DH-66



DH-68



## Special features

- Both ANSI and BRITISH panels available.
- Suitable for security door and all types of 90° door.
- Built-in demagnetizer design.  
Instant demagnetization when power is off.
- Power saving function design .  
No power consumption when both armature and electromagnetic door holder do not attach with each other .
- Power Supply: DC12V or DC24V (adjustable)
- Holding force: 145lbs(65Kg).

## Specification

	DH-66/DH-68
Power Supply	DC 12V / DC24V ±15%
Operation current	96mA@12V ; 49mA@24V
Application	Fire door and all types of 90° door
Holding forces	145lbs (65Kg)
Power saving function	Available
Door Close Delay Time	x
Lock status sensor	NO & NC
Immediate Power Off push button	Available
Demagnetizer	Instant demagnetizer when power is off
Mounting methods	Wall mounting
Weight	700g (included wrapping)

## Series Model

DH-66 : ANSI panel

DH-68 : BRITISH panel

Application range :

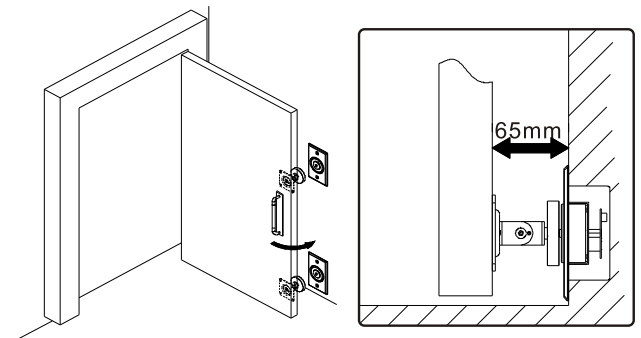
- 1.Exit door: It is open to remain door open status.  
When it is fire, door is released to prevent smoke from getting out to give the passage a smokefree environment.
- 2.Ordinary door : Replace ordinary managnetic door stopper.

## Dimensions

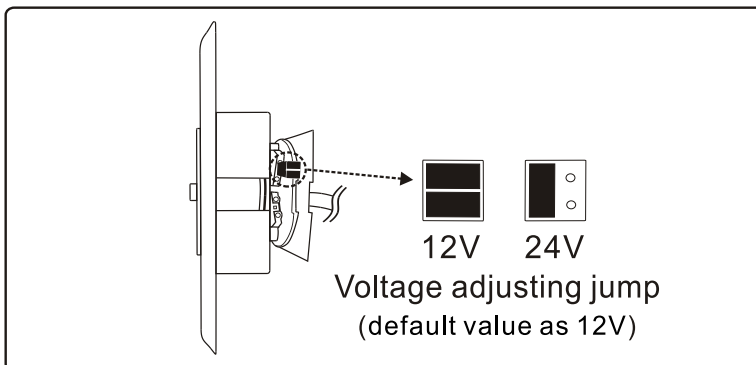
Unit: mm

DH-66 Lock body	DH-68 Lock body	Adjustable Armature

## Structure diagram



## Control board



## Examples of adjusting the armature

Different angles of the armature.

