



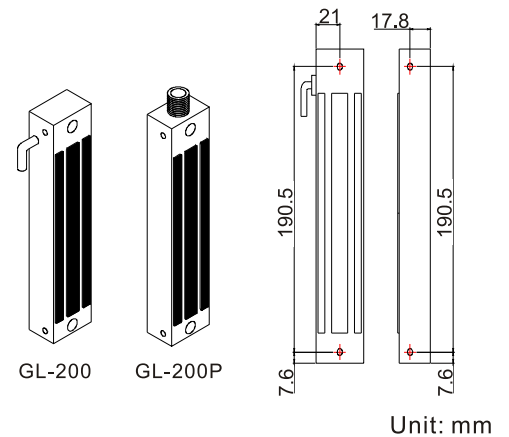
Special features

- Holding force: 600lbs(250Kg).
- Power Supply: DC12V or DC24V (adjustable)
- Sealing protection IP 67
- Suitable for Exit door ,Out-swing door and In-swing door.
- Fail safe type. Stainless steel case suitable for outdoors.
- Special surface enhancement process which is anti-rust for its durability.
- For use with any types of the access control unit with built-in surge absorber to prevent any interference to the reader.
- Low power consumption with high efficiency, nosie-free and instant demagnetizer when power is off.

Specification

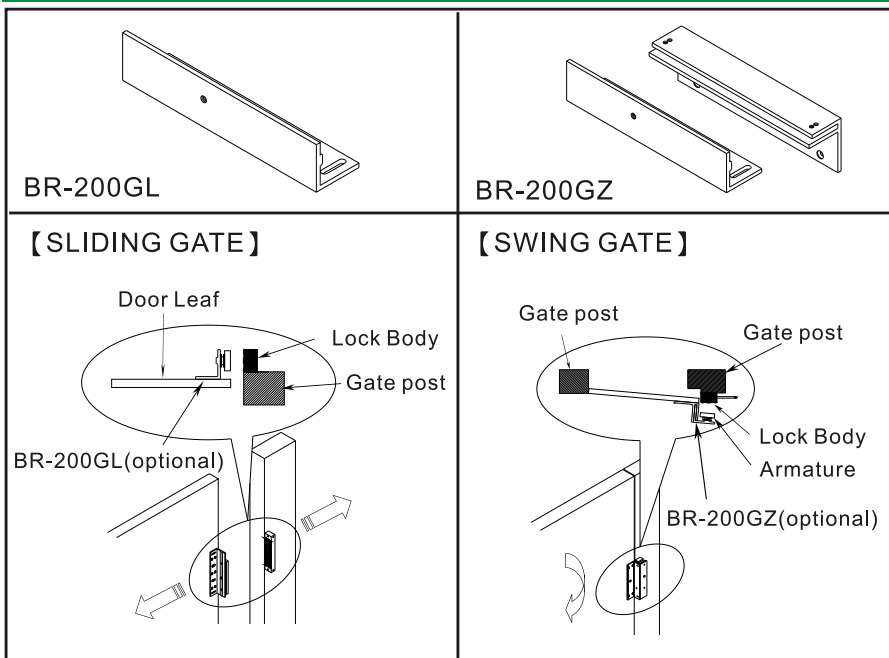
Power Supply	DC 12V or DC24V $\pm 15\%$
Operation current	420mA@12VDC mA $\pm 5\%$ 210mA@24VDC mA $\pm 5\%$
Application	90° push/pull door
Holding forces	600lbs(250Kg)
Lock status sensor	N.C. Output 0.25mA (Reed switch)
Demagnetizer design	Instant demagnetizer when power is off.
Operation temperature	40°C $\pm 5^\circ\text{C}$ (Room temperature 30°C)
Weight	2300g (included wrapping)

Dimensions



Note : 2 types of wire hole to select

Related products



Structure diagram

