



Series Model

- SF-3000SM :13.56MHz Mifare format
- SF-3000SMF: 13.56MHz Mifare SOCA format
- SF-3000SMH:13.56MHz Mifare SOCA V.2 format

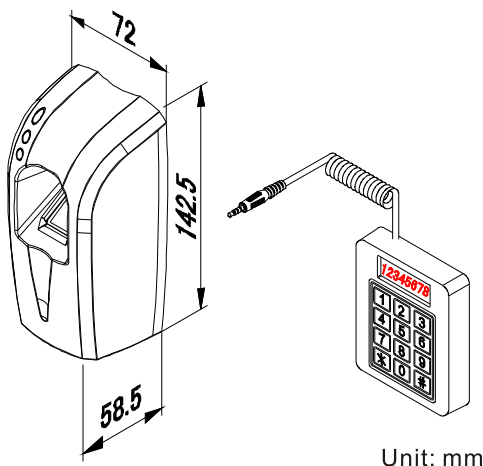
Special features

- It is able to operate individually without any external controller.
- Matching speed less than 1 second.
- Detachable external keyboard.
- 200 fingerprints capacity and 200 cards capacity (for users with indistinct fingerprint).
- Each user can register 3 separate sets of fingerprints, the last fingerprint enrolled is set as anti-duress fingerprint.
- Human detector to detect finger and match fingerprint automatically.
- Fingerprint sensor glass is made of tempered glass which sustains major scratches (hardness of 7 and above).

Specification

- | | |
|--|--|
| <ul style="list-style-type: none"> • Power Supply : DC 12V \pm15% • Door opening methods: <ol style="list-style-type: none"> 1. Proximity 2. Proximity and fingerprint 3. Fingerprint 4. Push button • Door closing time: 00-255 seconds. • Card capacity: 200 • Signal Output: Standard 26/34 Weigand output. • Operation mode : standalone. • Weight : 600g (included wrapping). | <ul style="list-style-type: none"> • Power consumption: 200mA (standby); 250mA (operation) \pm5% • Fireproof polycarbonate material for outer casing. • Capacity: 200 fingerprints (support 1:1 and 1:N automatic matching function). • Proximity module frequency : 13.56MHz (built-in proximity module). • Fingerprint sensor glass material : quartz glass(sustains major scratches). • Input point: 1. Exit push button 2. Anti-theft detection 3. Door sensing input • Output point: 1. Door open connector 2.Alarm output 3. Anti-Duress alarm output • Keyboard: 4 \times 4, detachable thin membrane keyboard. |
|--|--|

Dimensions



Structure diagram

