



## Series Model

- SL-120A :DC12V, N.C. door position detection output
- SL-120B :DC12V , Door position detection and bolt position (N.C. & N.O.) Output points
- SL-120U :DC12V~24V , Door position detection and bolt position (N.C. & N.O.) output points. With relock function.

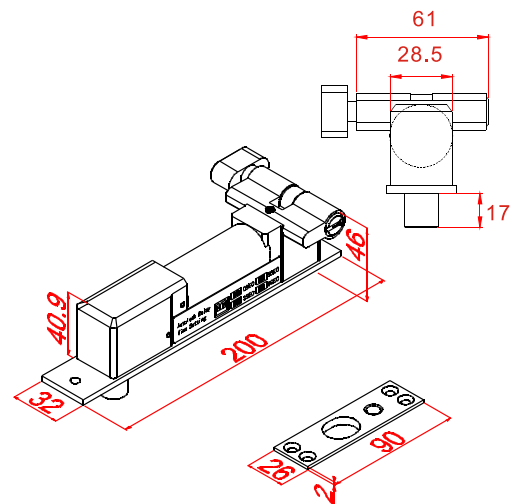
## Special features

- Door position detection and bolt position output points.
- Special wearable design. Mechanic life of more than 500,000 times.
- Stainless steel bolt is able to sustain more than 1200 kg of shear force.
- Fail-safe (power to open) electric lock suitable for all types of 90~180° door.
- Built-in oval cylinder as unlocking device. Use of oval cylinder to unlock when power cut occurred or during emergency.
- Micro computer door position detection and current control to prevent error action and lower the lock's temperature.
- Built-in photo coupler door open push button input contact. Door will lock again automatically when door is not open within 5 seconds.

## Specification

	SL-120A	SL-120B	SL-120U	
Power Supply	DC 12V	DC 12V	DC 12V	DC24V
Operation current	880mA	880mA	950mA	475mA
Holding current	320mA	320mA	340mA	195mA
Door position detection points	N.C.	N.C.&N.O.	N.C.&N.O.	
Bolt position points	×	N.C.&N.O.	N.C.&N.O.	
Relock Function	×	×	Maximum 60 times	
Application	all types of 90~180° door			
Delay Time	0,3,5,9 Sec.( Available to set)			
Mechanic life	more than 500,000 times			
Door Open Contact	Photo coupler contact			
Overloaded Current Protection	Available			
Operation temperature	60°C ± 5°C (Room temperature 30°C )			
Range of the door crack	Maximum of 10 mm			
Legth of bolt	17mm			
Weight	1100g (included wrapping)			

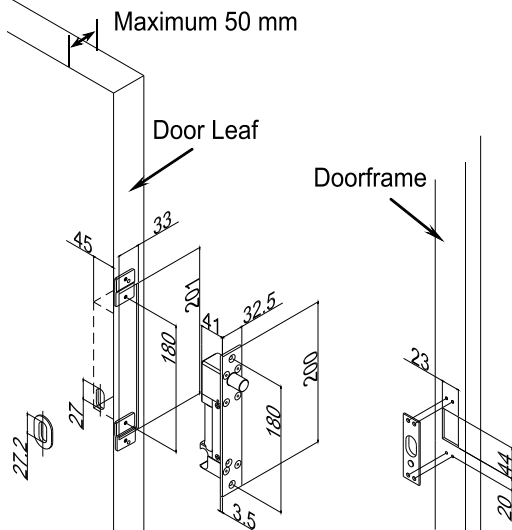
## Dimensions



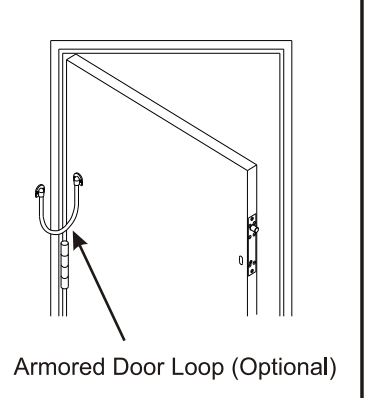
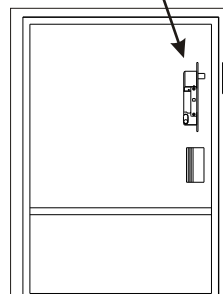
Unit: mm

## Structure diagram

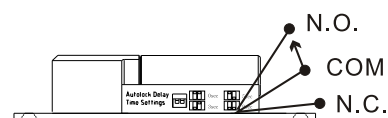
※ Please note the width limitation of door leaf.



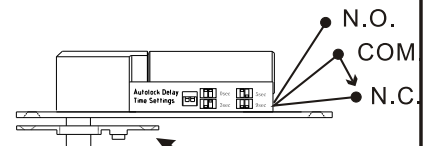
※ The correct installation position of the electric lock on the door leaf, not on the door frame.



※ Door position detection output:



When door is not closed, detection output is COM and N.O. Connected.



When door is closed, detection output is COM and N.C. Connected.