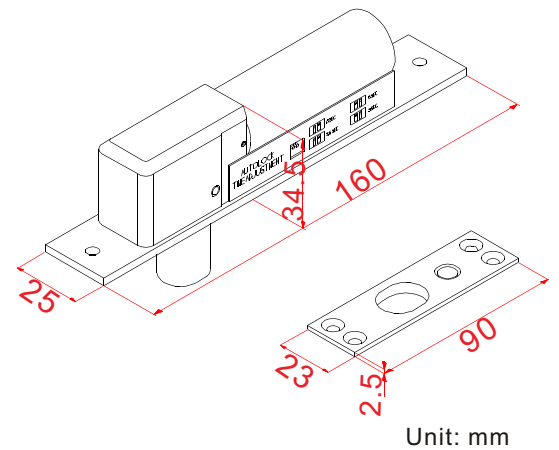


Special features

- Fail-safe electric lock, 160mA low current consumption suitable for emergency exits in public places.
- Door-position detection output for security main unit use.
- Special wearable design. Mechanic life of more than 1000,000 times.
- Micro computer door position detection and current control to prevent error action and lower the lock's temperature.
- Stainless steel bolt with tamper-proof function.
- Built-in photo coupler door open push button input contact. Door will lock again automatically when door is not open within 6 seconds.

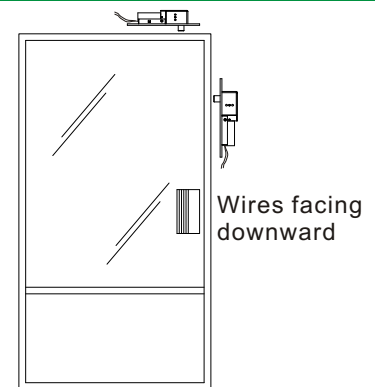
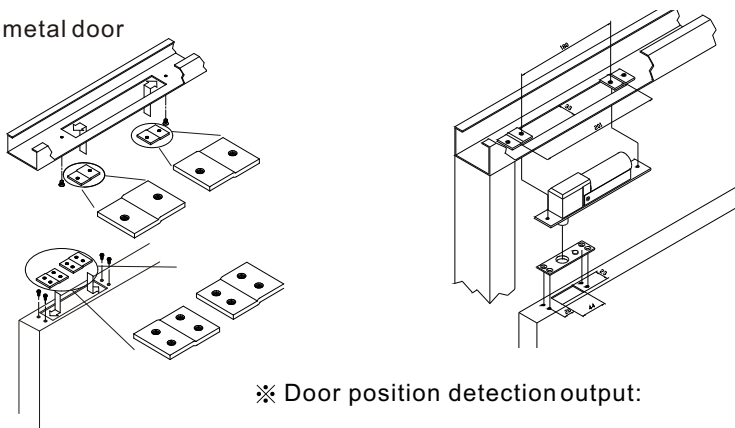
Specification	Dimensions
---------------	------------

Power Supply	DC 12V ± 10%
Operation current	830mA ± 10%
Holding current	160mA ± 10%
Relock Function	×
Door Positions Sensor	N.C. & N.O.
Application	all types of 90~180° door
Delay Time	0、3 Sec.(Available to set)
Mechanic life	more than 1000,000 times
Door Open Contact	Photo coupler contact
Overloaded Current Protection	×
Operation temperature	0~90°C ; 85%Rhmax
Range of the door gap	Maximum of 10 mm
Legth of bolt	16mm
Weight	226g (included wrapping)

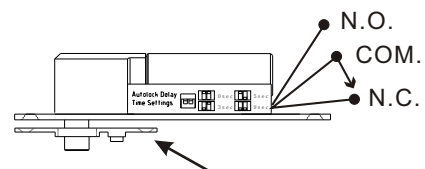


Structure diagram

Hollow metal door



When door is not closed, detection output is COM and N.O. Connected.



When door is closed, detection output is COM and N.C. Connected.