



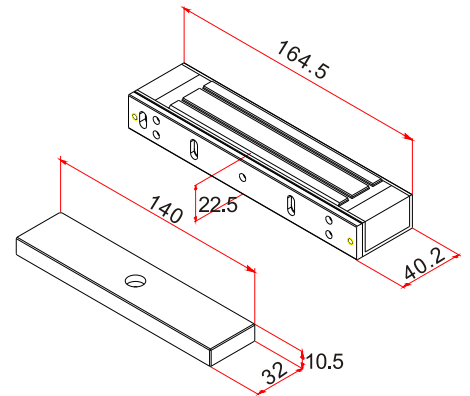
Series Model

- SL-180 : Without door position detection output
- SL-180R: With door position detection output

Special features

- Holding force:300lbs(180Kg).
- Power Supply: DC12V or DC24V (adjustable)
- Fail-safe (power to lock) electric lock suitable for 90° wooden door or chest with drawers.
- Special surface enhancement process which is anti-rust for its durability.
- For use with any types of the access control unit with built-in surge absorber to prevent any interference to the reader.
- Low power consumption with high efficiency, noise-free.

Specification		Dimensions
	SL-180	SL-180R
Lock status sensor	×	N.C. & N.O. Output (Maximum load of 0.25A)
Power Supply	DC 12V or DC24V ± 15%	
Operation current	380mA@12VDC mA ± 5% 190mA@24VDC mA ± 5%	
Application	90° wooden door or chest with drawers	
Holding forces	300lbs(150Kg)	
Demagnetizer design	Instant demagnetizer when power is off.	
Operation temperature	40°C ± 5°C (Room temperature 30°C)	
Weight	1150g (included wrapping)	



Unit: mm

Related products

SL-180 Bracket (In-swing door)	BR-180/AL L bracket (For armature only)	BR-180/BL L bracket (For the unit only)	BR-180

Structure diagram

