



Series Model

- SL-200D :With lock status indicator and door position detection output (NO/NC)
- SL-200SD:Without indicator lights

Special features

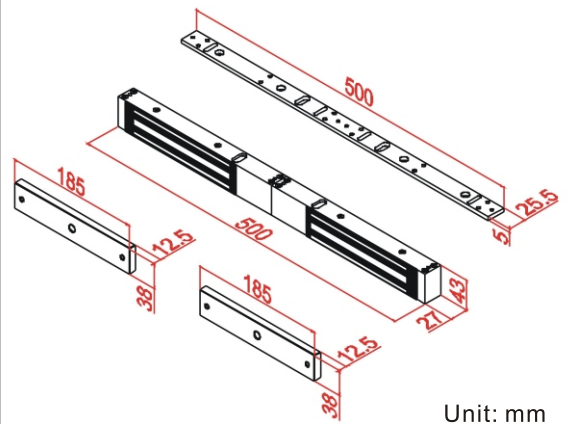
- 600lbs(250Kg) holding force for double door leaf.
- Suitable for all types of 90° double push/pull door.
- Power Supply: DC12V or DC24V (adjustable)
- Fail-safe (power to lock) electric lock suitable for fire exit.
- Special surface enhancement process which is anti-rust for its durability.
- For use with any types of the access control unit with built-in surge absorber to prevent any interference to the reader.
- Special aluminum hardening, all materials used are fireproof.
- Monitor output with Hall Effect for its stability and high accuracy.



Specification

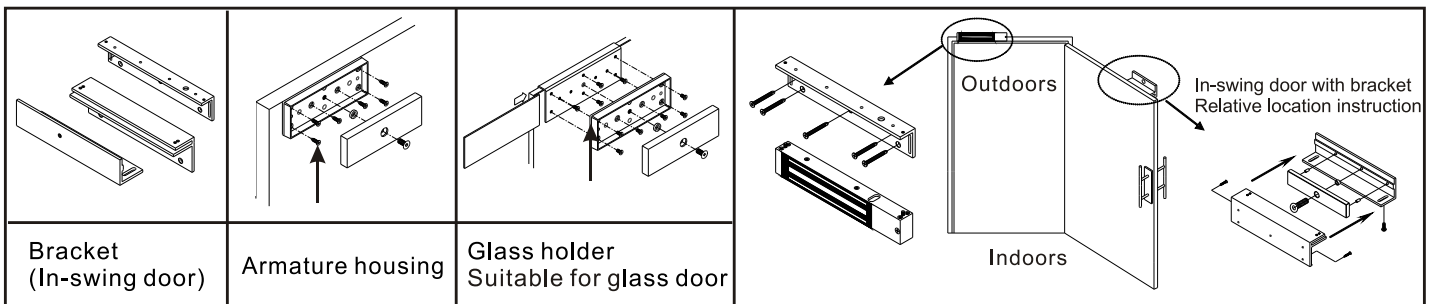
| | SL-200SD | SL-200D |
|-----------------------|--|-------------------------------|
| Lock status sensor | X | N.C. & N.O. Output (1A@30VDC) |
| Indicator | X | Double-colored LED light |
| Power Supply | DC 12V or DC24V ± 15% | |
| Operation current | 450mA@12VDC mA ± 5% 230mA@24VDC mA ± 5% (Single side) | |
| Application | Exit door ,Out-swing door and In-swing door | |
| Holding forces | 600lbs(250Kg) (Single side) | |
| Demagnetizer design | Instant demagnetizer when power is off. | |
| Operation temperature | 40°C ± 5°C (Room temperature 30°C) | |
| Weight | 4300g (included wrapping) | |

Dimensions



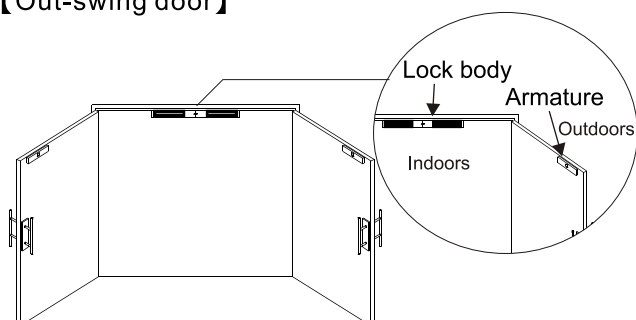
Unit: mm

Related products



Structure diagram

【Out-swing door】



【In-swing door】

