



### Series Model

- SL-200M : Without lock status indicator output
- SL-200MR : With lock status indicator output

### Special features

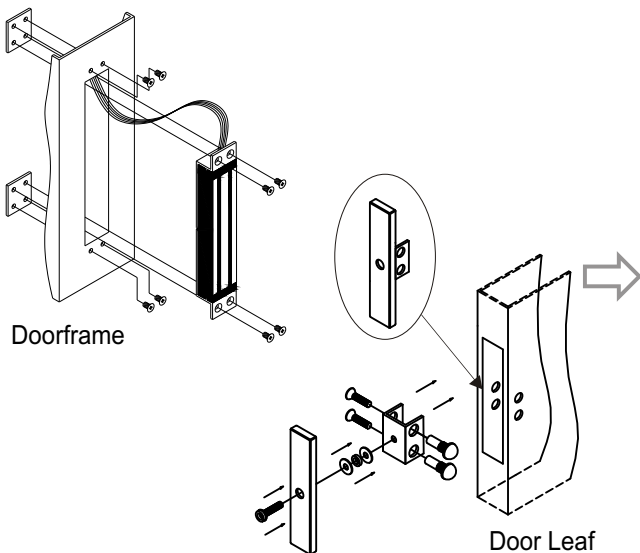
- Holding force: 600lbs(250Kg).
- Fail-safe (power to lock) electric lock suitable for fire exit.
- Power Supply: DC12V or DC24V (adjustable)
- Suitable for 90° push/pull door sliding door with embedded installation.
- Special surface enhancement process which is anti-rust for its durability.
- For use with any types of the access control unit with built-in surge absorber to prevent any interference to the reader.
- Low power consumption with high efficiency, noise-free and instant demagnetizer when power is off.
- Monitor output with Hall Effect for its stability and high accuracy.

Specification		Dimensions
	SL-200M	SL-200MR
Lock status sensor	×	N.C. & N.O. Output (0.25mA)
Power Supply	DC 12V or DC24V ± 15%	
Operation current	450mA@12VDC mA ± 10% 235mA@24VDC mA ± 10%	
Application	Push/pull door or sliding door	
Holding forces	600lbs(250Kg)	
Demagnetizer design	Instant demagnetizer when power is off.	
Operation temperature	40°C ± 5°C (Room temperature 30°C )	
Weight	2000g (included wrapping)	

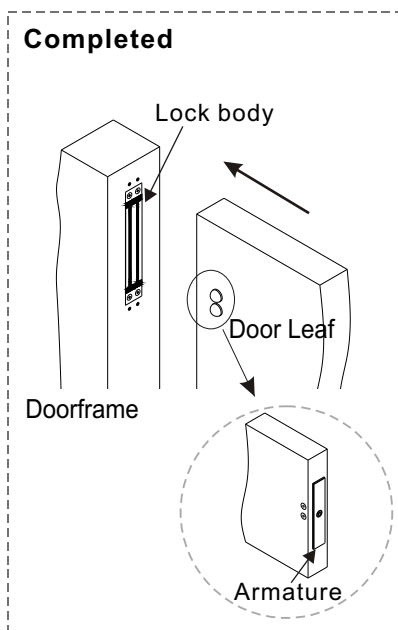
Unit: mm

### Structure diagram

#### 【Example 1】



#### Completed



#### 【Example 2】

Install here if the top of the door frame is wide enough for the unit.

