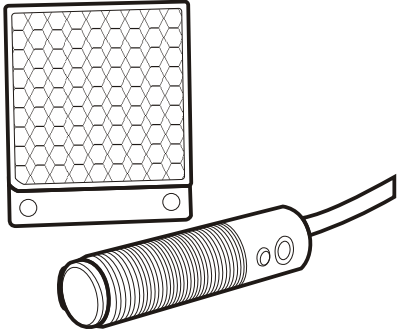


Manual of M18 Photoelectric Beam Sensor



Features

- Mini Size: 72mm(L)×18mm(D)
- Super Sensing Range: 20 meters (Through Beam)
- Twice Output: Both NPN / PNP
- Water Proof: IP-67

Application

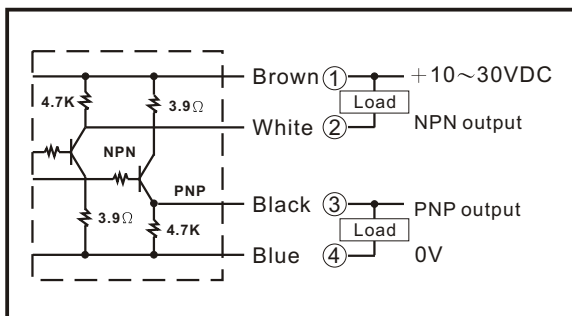
- Car Washing Machine or Conveyor

Specifications



Detection Method	Retro-Reflection		Through Beam		Diffused Type	
Model Number	DR-300-NO	DR-300-NC	DR-2000-NO	DR-2000-NC	DR-40-NO	DR-40-NC
Output Status	Normal Open	Normal Close	Normal Open	Normal Close	Normal Open	Normal Close
Sensing Range	3m		20m		40cm	
Operating Volt.	10-30VDC: RIPPLE <20% OF P.P					
Consumption Current	20 mA		45 mA		25 mA	
Output	Both NPN / PNP (Selectable)					
Output Current	150 mA Max.					
Residual Voltage	0.8V Max.					
Leakage Current	Circuit 0.8 mA Max.					
Protection Circuit	1. Short		2. Polarity Reversed Protection			
Response Time	1ms		5ms		1ms	
Sensing Adjuster	None		None		270 Trimmer	
Hysteresis	20% of Sensing Range Max.					
Illumination	Lamplight <10,000 LUX, Sunlight <20,000 LUX					
Housing Material	Intensive ABS					
Ambient Temp.	Minus 20°C~60°C; 35%-85%RH					
Water Proof	IP-67					

Wiring Connection



Dimensions

